

MELSOFT Library Q62DA Reference Manual

<CONTENTS>

Reference Manual Revision History	2
1. M+Q62DA_WriteDAVal (DA conversion data write)	3
2. M+Q62DA_WriteAllDAVal (DA conversion data write (All CHs))	7
3. M+Q62DA_SetDAConversion (DA conversion enable/disable setting).....	11
4. M+Q62DA_SetDAOutput (DA output enable/disable setting)	15
5. M+Q62DA_RequestSetting (Operating condition setting request operation).....	19
6. M+Q62DA_SetOffsetVal (Offset setting)	23
7. M+Q62DA_SetGainVal (Gain setting).....	28
8. M+Q62DA_ErrorOperation (Error operation)	33
Appendix 1 - Application examples	37

Reference Manual Revision History

Reference Manual Number	Date	Description
FBM-M041-A	2010/12/23	First edition

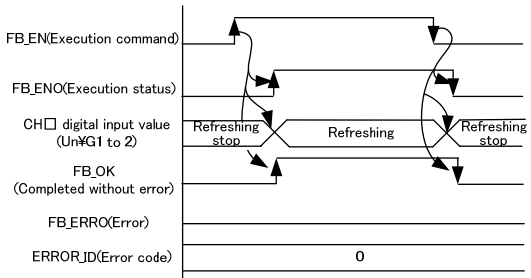
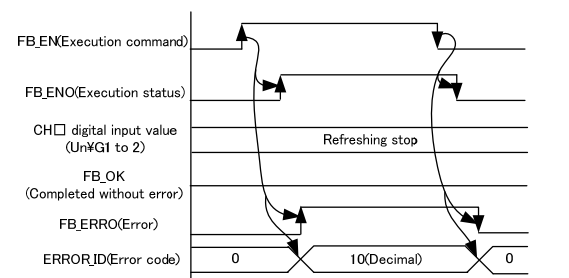
1. M+Q62DA_WriteDAVal (DA conversion data write)

FB Name

M+Q62DA_WriteDAVal

Function Overview

Item	Description																		
Function overview	Writes DA conversion data of a specified channel.																		
Symbol	<table border="1" style="width: 100%; border-collapse: collapse;"> <thead> <tr> <th colspan="2" style="text-align: center;">M+Q62DA_WriteDAVal</th> </tr> </thead> <tbody> <tr> <td style="text-align: right;">Execution command</td> <td>B : FB_EN</td> </tr> <tr> <td style="text-align: right;">Module start XY address</td> <td>W : i_Start_IO_No</td> </tr> <tr> <td style="text-align: right;">Channel No.</td> <td>W : i_CH</td> </tr> <tr> <td style="text-align: right;">Digital value</td> <td>W : i_DA_Value</td> </tr> <tr> <td style="text-align: left;">FB_ENO : B</td> <td>Execution status</td> </tr> <tr> <td style="text-align: left;">FB_OK : B</td> <td>Completed without error</td> </tr> <tr> <td style="text-align: left;">FB_ERROR : B</td> <td>Error flag</td> </tr> <tr> <td style="text-align: left;">ERROR_ID : W</td> <td>Error code</td> </tr> </tbody> </table>	M+Q62DA_WriteDAVal		Execution command	B : FB_EN	Module start XY address	W : i_Start_IO_No	Channel No.	W : i_CH	Digital value	W : i_DA_Value	FB_ENO : B	Execution status	FB_OK : B	Completed without error	FB_ERROR : B	Error flag	ERROR_ID : W	Error code
M+Q62DA_WriteDAVal																			
Execution command	B : FB_EN																		
Module start XY address	W : i_Start_IO_No																		
Channel No.	W : i_CH																		
Digital value	W : i_DA_Value																		
FB_ENO : B	Execution status																		
FB_OK : B	Completed without error																		
FB_ERROR : B	Error flag																		
ERROR_ID : W	Error code																		
Applicable hardware and software	Compatible hardware: Q62DA, Q62DAN																		
	Hardware details																		
	<table border="1" style="width: 100%; border-collapse: collapse;"> <tbody> <tr> <td style="width: 30%;">Q series</td> <td>High performance model</td> </tr> <tr> <td></td> <td>Universal model</td> </tr> </tbody> </table>	Q series	High performance model		Universal model														
	Q series	High performance model																	
	Universal model																		
*Not applicable for QCPU (A mode)																			
	Compatible software: GX Works 2 Version 1.31H or later																		
Programming language	Ladder																		
Number of steps (maximum value)	<p>For universal model CPU: 184*</p> <p>*The value is the number of steps in the label program, and is therefore stated as a reference value. For details, refer to the GX Works2 Version1 Operation Manual (Simple Project).</p>																		
Function description	<p>1) By turning ON FB_EN (Execution command), DA conversion data is written to the specified channel.</p> <p>2) The DA conversion data to be written depends on the resolution mode setting.</p> <p>3) When the input value is invalid, the FB_ERROR output turns ON, processing is interrupted, and the error code is stored in ERROR_ID (Error code). Refer to the error code explanation section for details.</p>																		
Compiling method	Macro type																		

Item	Description	
Restrictions and precautions	<p>1) The FB does not include error recovery processing. Program the error recovery processing separately in accordance with the required system operation.</p> <p>2) The FB cannot be used in an interrupt program.</p> <p>3) Please ensure that the FB_EN signal is capable of being turned OFF by the program. Do not use this FB in programs that are only executed once such as a subroutine, FOR-NEXT loop, etc. because it is impossible to turn OFF.</p> <p>4) When two or more of these FBs are used, precaution must be taken to avoid repetition of the target channel.</p> <p>5) This FB uses index registers Z9, Z8 and Z7. Please do not use these index registers in an interrupt program.</p> <p>6) Every input must be provided with a value for proper FB operation.</p> <p>7) If the auto refresh is set using GX Configurator-DA or the configuration function of GX Works 2, using this FB is unnecessary.</p> <p>8) The output range, synchronous output mode, resolution mode, and operation mode must be configured to match devices and systems connected to the Q62DA module. Configure these settings by making the GX Works2 switch setting according to the application.</p> <p>For details on how to use the intelligent function module switch setting, refer to GX Works2 Operating Manual (Common).</p>	
FB operation type	Real-time execution	
Application example	Refer to Appendix 1 - Application examples.	
Timing chart	<p>[When operation completes without error]</p> 	<p>[When an error occurs]</p> 
Relevant manual	Digital-Analog Converter Module User's Manual	

Error codes

■ Error code list

Error code	Description
10 (Decimal)	The specified target channel is not valid. The target channel is not within the range of the number of channels of the mounted module. Please try again after confirming the setting.

Labels

■ Input labels

Name	Label name	Data type	Setting range	Description
Execution command	FB_EN	B	ON, OFF	ON: The FB is activated. OFF: The FB is not activated.
Module start XY address	i_Start_IO_No	W	Depends on the I/O point range. For details, refer to the CPU user's manual.	Specify the starting XY address (in hexadecimal) where the Q62DA module is mounted. (For example, enter H10 for X10.)
Channel No.	i_CH	W	1,2	Specify the channel number.
Digital value	i_DA_Value	W	Depends on the output range setting and resolution setting of the specified channel.	For details on the setting range of the digital value, refer to the relevant manual.

■ Output labels

Name	Label name	Data type	Initial value	Description
Execution status	FB_ENO	B	OFF	ON: Execution command is ON OFF: Execution command is OFF.
Completed without error	FB_OK	B	OFF	When ON, it indicates that DA conversion value is being written.
Error flag	FB_ERROR	B	OFF	When ON, it indicates that an error has occurred.
Error code	ERROR_ID	W	0	FB error code output.

FB Version Upgrade History

Version	Date	Description
1.00A	2010/12/23	First edition

Note

This chapter includes information related to the M+Q62DA_WriteDAVal function block.

It does not include information on restrictions of use such as combination with digital-analog converter modules or programmable controller CPUs.

Before using any Mitsubishi products, please read all the relevant manuals.

2. M+Q62DA_WriteAllDAVal (DA conversion data write (All CHs))

FB Name
M+Q62DA_WriteAllDAVal

Function Overview

Item	Description																		
Function overview	Writes DA conversion data of all channels.																		
Symbol	<table border="1" style="width: 100%; border-collapse: collapse;"> <thead> <tr> <th colspan="2" style="text-align: center;">M+Q62DA_WriteAllDAVal</th> </tr> </thead> <tbody> <tr> <td style="text-align: right;">Execution command</td> <td>B : FB_EN</td> </tr> <tr> <td style="text-align: right;">Module start XY address</td> <td>W : i_Start_IO_No</td> </tr> <tr> <td style="text-align: right;">Channel 1 digital value</td> <td>W : i_DA_ValueCH1</td> </tr> <tr> <td style="text-align: right;">Channel 2 digital value</td> <td>W : i_DA_ValueCH2</td> </tr> <tr> <td style="text-align: left;">FB_ENO : B</td> <td>Execution status</td> </tr> <tr> <td style="text-align: left;">FB_OK : B</td> <td>Completed without error</td> </tr> <tr> <td style="text-align: left;">FB_ERROR : B</td> <td>Error flag</td> </tr> <tr> <td style="text-align: left;">ERROR_ID : W</td> <td>Error code</td> </tr> </tbody> </table>	M+Q62DA_WriteAllDAVal		Execution command	B : FB_EN	Module start XY address	W : i_Start_IO_No	Channel 1 digital value	W : i_DA_ValueCH1	Channel 2 digital value	W : i_DA_ValueCH2	FB_ENO : B	Execution status	FB_OK : B	Completed without error	FB_ERROR : B	Error flag	ERROR_ID : W	Error code
M+Q62DA_WriteAllDAVal																			
Execution command	B : FB_EN																		
Module start XY address	W : i_Start_IO_No																		
Channel 1 digital value	W : i_DA_ValueCH1																		
Channel 2 digital value	W : i_DA_ValueCH2																		
FB_ENO : B	Execution status																		
FB_OK : B	Completed without error																		
FB_ERROR : B	Error flag																		
ERROR_ID : W	Error code																		
Applicable hardware and software	Compatible hardware: Q62DA, Q62DAN																		
	Hardware details																		
	<table border="1" style="width: 100%; border-collapse: collapse;"> <tr> <td style="width: 30%;">Q series</td> <td>High performance model</td> </tr> <tr> <td></td> <td>Universal model</td> </tr> </table>	Q series	High performance model		Universal model														
	Q series	High performance model																	
	Universal model																		
*Not applicable for QCPU (A mode)																			
	Compatible software: GX Works 2 Version 1.31H or later																		
Programming language	Ladder																		
Number of steps (maximum value)	<p>For universal model CPU: 160*</p> <p>*The value is the number of steps in the label program, and is therefore stated as a reference value. For details, refer to the GX Works2 Version1 Operation Manual (Simple Project).</p>																		

Item	Description
Function description	1) By turning ON FB_EN (Execution command), DA conversion data is written to the all channels. 2) The DA conversion data to be written to the all channels depends on the resolution mode setting.
Compiling method	Macro type
Restrictions and precautions	1) The FB does not include error recovery processing. Program the error recovery processing separately in accordance with the required system operation. 2) The FB cannot be used in an interrupt program. 3) Please ensure that the FB_EN signal is capable of being turned OFF by the program. Do not use this FB in programs that are only executed once such as a subroutine, FOR-NEXT loop, etc. because it is impossible to turn OFF. 4) When two or more of these FBs are used, precaution must be taken to avoid repetition of the target channel. 5) This FB uses index registers Z9 and Z8. Please do not use these index registers in an interrupt program. 6) Every input must be provided with a value for proper FB operation. 7) If the auto refresh is set using GX Configurator-DA or the configuration function of GX Works 2, using this FB is unnecessary. 8) The output range, synchronous output mode, resolution mode, and operation mode must be configured to match devices and systems connected to the Q62DA module. Configure these settings by making the GX Works2 switch setting according to the application. For details on how to use the intelligent function module switch setting, refer to GX Works2 Operating Manual (Common).
FB operation type	Real-time execution
Application example	Refer to Appendix 1 - Application examples.
Timing chart	<p>The timing chart shows the following signals and their behavior:</p> <ul style="list-style-type: none"> FB_EN (Execution command): A pulse that starts the refreshing process. FB_ENO (Execution status): A signal that becomes active (low) during the refreshing process. CH digital input value (UnYGI to Z): The digital input values are updated during the refreshing process. FB_OK (Completed without error): A signal that becomes active (low) after the refreshing process is complete. FB_ERR (Error): A signal that becomes active (low) if an error occurs during the refreshing process. ERROR_ID (Error code): A signal that is set to 0 when an error occurs. <p>The chart is divided into three main phases: 'Refreshing stop', 'Refreshing', and 'Refreshing stop'. During the 'Refreshing' phase, the digital input values are updated, and the FB_OK signal is active. During the 'Refreshing stop' phases, the FB_EN signal is high, and the FB_ERR signal is active if an error occurs.</p>
Relevant manual	Digital-Analog Converter Module User's Manual

Error codes

■ Error code list

Error code	Description
None	No errors are stored for this FB.

Labels

■ Input labels

Name	Label name	Data type	Setting range	Description
Execution command	FB_EN	B	ON, OFF	ON: The FB is activated. OFF: The FB is not activated.
Module start XY address	i_Start_IO_No	W	Depends on the I/O point range. For details, refer to the CPU user's manual.	Specify the starting XY address (in hexadecimal) where the Q62DA module is mounted. (For example, enter H10 for X10.)
Channel 1 digital value	i_DA_ValueCH1	W	Depends on the output range setting and resolution setting of the channel 1.	Writes the digital conversion value of the channel 1.
Channel 2 digital value	i_DA_ValueCH2	W	Depends on the output range setting and resolution setting of the channel 2.	Writes the digital conversion value of the channel 2.

■ Output labels

Name	Label name	Data type	Initial value	Description
Execution status	FB_ENO	B	OFF	ON: Execution command is ON. OFF: Execution command is OFF.
Completed without error	FB_OK	B	OFF	When ON, it indicates that DA conversion values of all channels are being written.
Error flag	FB_ERROR	B	OFF	When ON, it indicates that an error has occurred.
Error code	ERROR_ID	W	0	FB error code output.

FB Version Upgrade History

Version	Date	Description
1.00A	2010/12/23	First edition

Note

This chapter includes information related to the M+Q62DA_WriteAllDAVal function block.

It does not include information on restrictions of use such as combination with digital-analog converter modules or programmable controller CPUs.

Before using any Mitsubishi products, please read all the relevant manuals.

3. M+Q62DA_SetDAConversion (DA conversion enable/disable setting)

FB Name
M+Q62DA_SetDAConversion

Function Overview

Item	Description																		
Function overview	Sets the DA conversion enable/disable setting of a specified channel or all channels.																		
Symbol	<table border="1" style="width: 100%; border-collapse: collapse;"> <thead> <tr> <th colspan="2" style="text-align: center;">M+Q62DA_SetDAConversion</th> </tr> </thead> <tbody> <tr> <td style="text-align: right;">Execution command</td> <td>B : FB_EN</td> </tr> <tr> <td style="text-align: right;">Module start XY address</td> <td>W : i_Start_IO_No</td> </tr> <tr> <td style="text-align: right;">Channel No.</td> <td>W : i_CH</td> </tr> <tr> <td style="text-align: right;">DA conversion enable/disable setting</td> <td>B : i_DA_Enable</td> </tr> <tr> <td style="text-align: left;">FB_ENO : B</td> <td>Execution status</td> </tr> <tr> <td style="text-align: left;">FB_OK : B</td> <td>Completed without error</td> </tr> <tr> <td style="text-align: left;">FB_ERROR : B</td> <td>Error flag</td> </tr> <tr> <td style="text-align: left;">ERROR_ID : W</td> <td>Error code</td> </tr> </tbody> </table>	M+Q62DA_SetDAConversion		Execution command	B : FB_EN	Module start XY address	W : i_Start_IO_No	Channel No.	W : i_CH	DA conversion enable/disable setting	B : i_DA_Enable	FB_ENO : B	Execution status	FB_OK : B	Completed without error	FB_ERROR : B	Error flag	ERROR_ID : W	Error code
M+Q62DA_SetDAConversion																			
Execution command	B : FB_EN																		
Module start XY address	W : i_Start_IO_No																		
Channel No.	W : i_CH																		
DA conversion enable/disable setting	B : i_DA_Enable																		
FB_ENO : B	Execution status																		
FB_OK : B	Completed without error																		
FB_ERROR : B	Error flag																		
ERROR_ID : W	Error code																		
Applicable hardware and software	Compatible hardware: Q62DA, Q62DAN																		
	Hardware details																		
	<table border="1" style="width: 100%; border-collapse: collapse;"> <tr> <td style="width: 30%;">Q series</td> <td>High performance model</td> </tr> <tr> <td></td> <td>Universal model</td> </tr> </table>	Q series	High performance model		Universal model														
	Q series	High performance model																	
	Universal model																		
*Not applicable for QCPU (A mode)																			
	Compatible software: GX Works 2 Version 1.31H or later																		
Programming language	Ladder																		
Number of steps (maximum value)	<p>For universal model CPU: 223*</p> <p>*The value is the number of steps in the label program, and is therefore stated as a reference value. For details, refer to the GX Works2 Version1 Operation Manual (Simple Project).</p>																		
Function description	<ol style="list-style-type: none"> 1) By turning ON FB_EN (Execution command), the DA conversion enable/disable setting of the specified channel is set. 2) FB operation is one-shot only, triggered by the FB_EN signal. 3) The setting value is enabled by turning ON the operating condition setting request signal (Y9) or by executing the operating condition setting request FB (M+Q62DA_RequestSetting). 4) When the input value is invalid, the FB_ERROR output turns ON, processing is interrupted, and the error code is stored in ERROR_ID (Error code). Refer to the error code explanation section for details. 																		

Item	Description
Compiling method	Macro type
Restrictions and precautions	<p>1) The FB does not include error recovery processing. Program the error recovery processing separately in accordance with the required system operation.</p> <p>2) The FB cannot be used in an interrupt program.</p> <p>3) Please ensure that the FB_EN signal is capable of being turned OFF by the program. Do not use this FB in programs that are only executed once such as a subroutine, FOR-NEXT loop, etc. because it is impossible to turn OFF.</p> <p>4) When two or more of these FBs are used, precaution must be taken to avoid repetition of the target channel.</p> <p>5) This FB uses index registers Z9, Z8 and Z7. Please do not use these index registers in an interrupt program.</p> <p>6) Every input must be provided with a value for proper FB operation.</p> <p>7) If the auto refresh is set using GX Configurator-DA or the configuration function of GX Works 2, using this FB is unnecessary.</p> <p>8) The output range, synchronous output mode, resolution mode, and operation mode must be configured to match devices and systems connected to the Q62DA module. Configure these settings by making the GX Works2 switch setting according to the application.</p> <p>For details on how to use the intelligent function module switch setting, refer to GX Works2 Operating Manual (Common).</p>
FB operation type	Pulsed execution (1 scan execution type)
Application example	Refer to Appendix 1 - Application examples.
Timing chart	<div style="display: flex; justify-content: space-around;"> <div style="width: 45%;"> <p>[When operation completes without error]</p> </div> <div style="width: 45%;"> <p>[When an error occurs]</p> </div> </div>
Relevant manual	Digital-Analog Converter Module User's Manual

Error codes

■ Error code list

Error code	Description
10 (Decimal)	The specified target channel is not valid. The target channel is not within the range of the number of channels of the mounted module. Please try again after confirming the setting.

Labels

■ Input labels

Name	Label name	Data type	Setting range	Description
Execution command	FB_EN	B	ON, OFF	ON: The FB is activated. OFF: The FB is not activated.
Module start XY address	i_Start_IO_No	W	Depends on the I/O point range. For details, refer to the CPU user's manual.	Specify the starting XY address (in hexadecimal) where the Q62DA module is mounted. (For example, enter H10 for X10.)
Channel No.	i_CH	W	As shown on the right.	Specify the channel number. <ul style="list-style-type: none"> ■ Q62DA, Q62DAN: 1, 2 ■ All channels at once: 15(0FH)
DA conversion enable/disable setting	i_DA_Enable	B	ON, OFF	ON: DA conversion enabled. OFF: DA conversion disabled.

■ Output labels

Name	Label name	Data type	Initial value	Description
Execution status	FB_ENO	B	OFF	ON: Execution command is ON. OFF: Execution command is OFF.
Completed without error	FB_OK	B	OFF	When ON, it indicates that DA conversion enable/disable setting is completed.
Error flag	FB_ERROR	B	OFF	When ON, it indicates that an error has occurred.
Error code	ERROR_ID	W	0	FB error code output.

FB Version Upgrade History

Version	Date	Description
1.00A	2010/12/23	First edition

Note

This chapter includes information related to the M+Q62DA_SetDAConversion function block.

It does not include information on restrictions of use such as combination with digital-analog converter modules or programmable controller CPUs.

Before using any Mitsubishi products, please read all the relevant manuals.

4. M+Q62DA_SetDAOutput (DA output enable/disable setting)

FB Name
M+Q62DA_SetDAOutput

Function Overview

Item	Description																		
Function overview	Sets the DA output enable/disable setting of a specified channel or all channels.																		
Symbol	<table border="1" style="width: 100%; border-collapse: collapse;"> <thead> <tr> <th colspan="2" style="text-align: center;">M+Q62DA_SetDAOutput</th> </tr> </thead> <tbody> <tr> <td style="text-align: right;">Execution command</td> <td>B : FB_EN</td> </tr> <tr> <td style="text-align: right;">Module start XY address</td> <td>W : i_Start_IO_No</td> </tr> <tr> <td style="text-align: right;">Channel No.</td> <td>W : i_CH</td> </tr> <tr> <td style="text-align: right;">DA output enable/disable setting</td> <td>B : i_DA_Out_Enable</td> </tr> <tr> <td style="text-align: left;">FB_ENO : B</td> <td>Execution status</td> </tr> <tr> <td style="text-align: left;">FB_OK : B</td> <td>Completed without error</td> </tr> <tr> <td style="text-align: left;">FB_ERROR : B</td> <td>Error flag</td> </tr> <tr> <td style="text-align: left;">ERROR_ID : W</td> <td>Error code</td> </tr> </tbody> </table>	M+Q62DA_SetDAOutput		Execution command	B : FB_EN	Module start XY address	W : i_Start_IO_No	Channel No.	W : i_CH	DA output enable/disable setting	B : i_DA_Out_Enable	FB_ENO : B	Execution status	FB_OK : B	Completed without error	FB_ERROR : B	Error flag	ERROR_ID : W	Error code
M+Q62DA_SetDAOutput																			
Execution command	B : FB_EN																		
Module start XY address	W : i_Start_IO_No																		
Channel No.	W : i_CH																		
DA output enable/disable setting	B : i_DA_Out_Enable																		
FB_ENO : B	Execution status																		
FB_OK : B	Completed without error																		
FB_ERROR : B	Error flag																		
ERROR_ID : W	Error code																		
Applicable hardware and software	Compatible hardware: Q62DA, Q62DAN																		
	Hardware details																		
	<table border="1" style="width: 100%; border-collapse: collapse;"> <tr> <td style="width: 30%;">Q series</td> <td>High performance model</td> </tr> <tr> <td></td> <td>Universal model</td> </tr> </table>	Q series	High performance model		Universal model														
	Q series	High performance model																	
	Universal model																		
*Not applicable for QCPU (A mode)																			
	Compatible software: GX Works 2 Version 1.31H or later																		
Programming language	Ladder																		
Number of steps (maximum value)	For universal model CPU: 206* *The value is the number of steps in the label program, and is therefore stated as a reference value. For details, refer to the GX Works2 Version1 Operation Manual (Simple Project).																		
Function description	1) By turning ON FB_EN (Execution command), the DA output enable/disable setting of the specified channel or all channels is set. 2) When the input value is invalid, the FB_ERROR output turns ON, processing is interrupted, and the error code is stored in ERROR_ID (Error code). Refer to the error code explanation section for details.																		
Compiling method	Macro type																		

Item	Description
Restrictions and precautions	<p>1) The FB does not include error recovery processing. Program the error recovery processing separately in accordance with the required system operation.</p> <p>2) The FB cannot be used in an interrupt program.</p> <p>3) Please ensure that the FB_EN signal is capable of being turned OFF by the program. Do not use this FB in programs that are only executed once such as a subroutine, FOR-NEXT loop, etc. because it is impossible to turn OFF.</p> <p>4) When two or more of these FBs are used, precaution must be taken to avoid repetition of the target channel.</p> <p>5) This FB uses index registers Z9 and Z8. Please do not use these index registers in an interrupt program.</p> <p>6) Every input must be provided with a value for proper FB operation.</p> <p>7) When this FB is used in two or more places, a duplicated coil warning may occur during compile operation due to the Y signal being operated by index modification. However this is not a problem and the FB will operate without error.</p> <p>8) The output range, synchronous output mode, resolution mode, and operation mode must be configured to match devices and systems connected to the Q62DA module. Configure these settings by making the GX Works2 switch setting according to the application.</p> <p>For details on how to use the intelligent function module switch setting, refer to GX Works2 Operating Manual (Common).</p>
FB operation type	Real-time execution
Application example	Refer to Appendix 1 - Application examples.
Timing chart	<div style="display: flex; justify-content: space-around;"> <div style="width: 45%;"> <p>[When operation completes without error]</p> </div> <div style="width: 45%;"> <p>[When an error occurs]</p> </div> </div>
Relevant manual	Digital-Analog Converter Module User's Manual

Error codes

■ Error code list

Error code	Description
10 (Decimal)	The specified target channel is not valid. The target channel is not within the range of the number of channels of the mounted module. Please try again after confirming the setting.

Labels

■ Input labels

Name	Label name	Data type	Setting range	Description
Execution command	FB_EN	B	ON, OFF	ON: The FB is activated. OFF: The FB is not activated.
Module start XY address	i_Start_IO_No	W	Depends on the I/O point range. For details, refer to the CPU user's manual.	Specify the starting XY address (in hexadecimal) where the Q62DA module is mounted. (For example, enter H10 for X10.)
Channel No.	i_CH	W	As shown on the right.	Specify the channel number. ■Q62DA,Q62DAN: 1, 2 ■All channels at once: 15(0FH)
DA output enable/disable setting	i_DA_Out_Enable	B	ON, OFF	ON: Outputs the D/A conversion value. OFF: Outputs the offset value.

■ Output labels

Name	Label name	Data type	Initial value	Description
Execution status	FB_ENO	B	OFF	ON: Execution command is ON. OFF: Execution command is OFF.
Completed without error	FB_OK	B	OFF	When ON, it indicates that DA output enable/disable setting is completed.
Error flag	FB_ERROR	B	OFF	When ON, it indicates that an error has occurred.
Error code	ERROR_ID	W	0	FB error code output.

FB Version Upgrade History

Version	Date	Description
1.00A	2010/12/23	First edition

Note

This chapter includes information related to the M+Q62DA_SetDAOutput function block.

It does not include information on restrictions of use such as combination with digital-analog converter modules or programmable controller CPUs.

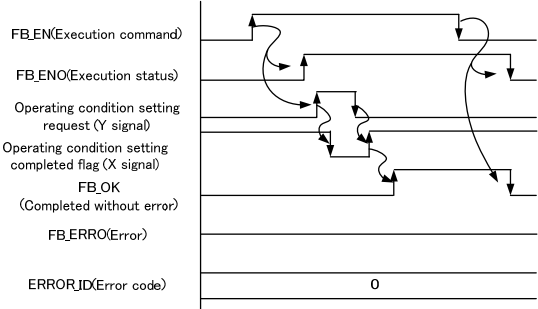
Before using any Mitsubishi products, please read all the relevant manuals.

5. M+Q62DA_RequestSetting (Operating condition setting request operation)

FB Name
M+Q62DA_RequestSetting

Function Overview

Item	Description																
Function overview	Enables settings of each function.																
Symbol	<div style="border: 1px solid black; padding: 5px; width: fit-content; margin: 0 auto;"> <p style="text-align: center; margin: 0;">M+Q62DA_RequestSetting</p> <table style="width: 100%; border-collapse: collapse;"> <tr> <td style="width: 30%; border: none;">Execution command</td> <td style="width: 30%; border: none;">B : FB_EN</td> <td style="width: 30%; border: none;">FB_ENO : B</td> <td style="width: 10%; border: none;">Execution status</td> </tr> <tr> <td style="border: none;">Module start XY address</td> <td style="border: none;">W : i_Start_IO_No</td> <td style="border: none;">FB_OK : B</td> <td style="border: none;">Completed without error</td> </tr> <tr> <td style="border: none;"></td> <td style="border: none;"></td> <td style="border: none;">FB_ERROR : B</td> <td style="border: none;">Error flag</td> </tr> <tr> <td style="border: none;"></td> <td style="border: none;"></td> <td style="border: none;">ERROR_ID : W</td> <td style="border: none;">Error code</td> </tr> </table> </div>	Execution command	B : FB_EN	FB_ENO : B	Execution status	Module start XY address	W : i_Start_IO_No	FB_OK : B	Completed without error			FB_ERROR : B	Error flag			ERROR_ID : W	Error code
Execution command	B : FB_EN	FB_ENO : B	Execution status														
Module start XY address	W : i_Start_IO_No	FB_OK : B	Completed without error														
		FB_ERROR : B	Error flag														
		ERROR_ID : W	Error code														
Applicable hardware and software	Compatible hardware: Q62DA, Q62DAN																
	Hardware details																
	<table border="1" style="width: 100%; border-collapse: collapse;"> <tr> <td style="width: 30%;">Q series</td> <td>High performance model</td> </tr> <tr> <td></td> <td>Universal model</td> </tr> </table>	Q series	High performance model		Universal model												
	Q series	High performance model															
	Universal model																
*Not applicable for QCPU (A mode)																	
	Compatible software: GX Works 2 Version 1.31H or later																
Programming language	Ladder																
Number of steps (maximum value)	<p>For universal model CPU: 143*</p> <p>*The value is the number of steps in the label program, and is therefore stated as a reference value. For details, refer to the GX Works2 Version1 Operation Manual (Simple Project).</p>																
Function description	<p>1) By turning ON FB_EN (Execution command), settings of each function are enabled.</p> <p>2) The buffer memory is updated by executing the DA conversion enable/disable setting FB/DA output enable/disable setting FB. The set data, however, is not enabled. Execute this FB to enable the settings.</p>																
Compiling method	Macro type																

Item	Description
Restrictions and precautions	<p>1) The FB does not include error recovery processing. Program the error recovery processing separately in accordance with the required system operation.</p> <p>2) The FB cannot be used in an interrupt program.</p> <p>3) Please ensure that the FB_EN signal is capable of being turned OFF by the program. Do not use this FB in programs that are only executed once such as a subroutine, FOR-NEXT loop, etc. because it is impossible to turn OFF.</p> <p>4) When two or more of these FBs are used, precaution must be taken to avoid repetition of the target channel.</p> <p>5) This FB turns ON/OFF the operating condition setting request signal. Please note that the DA conversion is stopped during operation of this FB.</p> <p>6) This FB uses index register Z9. Please do not use this index register in an interrupt program.</p> <p>7) Every input must be provided with a value for proper FB operation.</p> <p>8) When this FB is used in two or more places, a duplicated coil warning may occur during compile operation due to the Y signal being operated by index modification. However this is not a problem and the FB will operate without error.</p> <p>9) The output range, synchronous output mode, resolution mode, and operation mode must be configured to match devices and systems connected to the Q62DA module. Configure these settings by making the GX Works2 switch setting according to the application.</p> <p>For details on how to use the intelligent function module switch setting, refer to GX Works2 Operating Manual (Common).</p>
FB operation type	Pulsed execution (multiple scan execution type)
Application example	Refer to Appendix 1 - Application examples.
Timing chart	 <p>The timing chart illustrates the sequence of events for the FB. It shows the following signals and their states over time:</p> <ul style="list-style-type: none"> FB_EN (Execution command): A series of pulses that initiate the FB's operation. FB_ENO (Execution status): A signal that transitions from ON to OFF when the FB starts and returns to ON when it completes. Operating condition setting request (Y signal): A pulse that occurs during the execution period. Operating condition setting completed flag (X signal): A pulse that occurs at the end of the execution period. FB_OK (Completed without error): A signal that becomes active after the execution is completed. FB_ERRO (Error): A signal that remains inactive throughout the process. ERROR_ID (Error code): A signal that remains at 0 throughout the process.
Relevant manual	Digital-Analog Converter Module User's Manual

Error codes

■ Error code list

Error code	Description
None	No errors are stored for this FB.

Labels

■ Input labels

Name	Label name	Data type	Setting range	Description
Execution command	FB_EN	B	ON, OFF	ON: The FB is activated. OFF: The FB is not activated.
Module start XY address	i_Start_IO_No	W	Depends on the I/O point range. For details, refer to the CPU user's manual.	Specify the starting XY address (in hexadecimal) where the Q62DA module is mounted. (For example, enter H10 for X10.)

■ Output labels

Name	Label name	Data type	Initial value	Description
Execution status	FB_ENO	B	OFF	ON: Execution command is ON. OFF: Execution command is OFF.
Completed without error	FB_OK	B	OFF	When ON, it indicates that the enabled operation of each setting is completed.
Error flag	FB_ERROR	B	OFF	When ON, it indicates that an error has occurred.
Error code	ERROR_ID	W	0	FB error code output.

FB Version Upgrade History

Version	Date	Description
1.00A	2010/12/23	First edition

Note

This chapter includes information related to the M+Q62DA_RequestSetting function block.

It does not include information on restrictions of use such as combination with digital-analog converter modules or programmable controller CPUs.

Before using any Mitsubishi products, please read all the relevant manuals.

6. M+Q62DA_SetOffsetVal (Offset setting)

FB Name
M+Q62DA_SetOffsetVal

Function Overview

Item	Description																						
Function overview	Performs offset setting of a specified channel.																						
Symbol	<table border="1" style="width: 100%; border-collapse: collapse;"> <thead> <tr> <th colspan="2" style="text-align: center;">M+Q62DA_SetOffsetVal</th> </tr> </thead> <tbody> <tr> <td style="text-align: right;">Execution command</td> <td>B : FB_EN</td> </tr> <tr> <td style="text-align: right;">Module start XY address</td> <td>W : i_Start_IO_No</td> </tr> <tr> <td style="text-align: right;">Channel No.</td> <td>W : i_CH</td> </tr> <tr> <td style="text-align: right;">Offset adjustment amount</td> <td>W : i_Adjust_Amount</td> </tr> <tr> <td style="text-align: right;">Setting value change command</td> <td>B : i_Value_Change</td> </tr> <tr> <td style="text-align: right;">User range write command</td> <td>B : i_Write_Offset</td> </tr> <tr> <td></td> <td style="text-align: right;">FB_ENO : B</td> </tr> <tr> <td></td> <td style="text-align: right;">FB_OK : B</td> </tr> <tr> <td></td> <td style="text-align: right;">FB_ERROR : B</td> </tr> <tr> <td></td> <td style="text-align: right;">ERROR_ID : W</td> </tr> </tbody> </table> <div style="display: flex; justify-content: space-between; margin-top: 10px;"> <div style="width: 45%;"> <p>Execution status</p> <p>Completed without error</p> <p>Error flag</p> <p>Error code</p> </div> </div>	M+Q62DA_SetOffsetVal		Execution command	B : FB_EN	Module start XY address	W : i_Start_IO_No	Channel No.	W : i_CH	Offset adjustment amount	W : i_Adjust_Amount	Setting value change command	B : i_Value_Change	User range write command	B : i_Write_Offset		FB_ENO : B		FB_OK : B		FB_ERROR : B		ERROR_ID : W
M+Q62DA_SetOffsetVal																							
Execution command	B : FB_EN																						
Module start XY address	W : i_Start_IO_No																						
Channel No.	W : i_CH																						
Offset adjustment amount	W : i_Adjust_Amount																						
Setting value change command	B : i_Value_Change																						
User range write command	B : i_Write_Offset																						
	FB_ENO : B																						
	FB_OK : B																						
	FB_ERROR : B																						
	ERROR_ID : W																						
Applicable hardware and software	Compatible hardware: Q62DA, Q62DAN																						
	Hardware details																						
	<table border="1" style="width: 100%; border-collapse: collapse;"> <tr> <td style="width: 30%;">Q series</td> <td>High performance model</td> </tr> <tr> <td></td> <td>Universal model</td> </tr> </table>	Q series	High performance model		Universal model																		
	Q series	High performance model																					
	Universal model																						
*Not applicable for QCPU (A mode)																							
	Compatible software: GX Works 2 Version 1.31H or later																						
Programming language	Ladder																						
Number of steps (maximum value)	<p>For universal model CPU: 321*</p> <p>*The value is the number of steps in the label program, and is therefore stated as a reference value. For details, refer to the GX Works2 Version1 Operation Manual (Simple Project).</p>																						

Item	Description
Function description	<p>1) By turning ON FB_EN (Execution command), the offset value of the specified channel is set.</p> <p>2) To adjust the D/A output, set i_Adjust_Amount (Offset/gain adjustment amount) and turn OFF i_Value_Change (Setting value change command) and then ON while FB_EN (Execution command) is ON.</p> <p>3) When the input value is invalid, the FB_ERROR output turns ON, processing is interrupted, and the error code is stored in ERROR_ID (Error code). Refer to the error code explanation section for details.</p>
Compiling method	Macro type
Restrictions and precautions	<p>1) The FB does not include error recovery processing. Program the error recovery processing separately in accordance with the required system operation.</p> <p>2) The FB cannot be used in an interrupt program.</p> <p>3) Please ensure that the FB_EN signal is capable of being turned OFF by the program. Do not use this FB in programs that are only executed once such as a subroutine, FOR-NEXT loop, etc. because it is impossible to turn OFF.</p> <p>4) When two or more of these FBs are used, precaution must be taken to avoid repetition of the target channel.</p> <p>5) This FB uses index registers Z9, Z8 and Z7. Please do not use these index registers in an interrupt program.</p> <p>6) Every input must be provided with a value for proper FB operation.</p> <p>7) When this FB is used in two or more places, a duplicated coil warning may occur during compile operation due to the Y signal being operated by index modification. However this is not a problem and the FB will operate without error.</p> <p>8) The output range, synchronous output mode, resolution mode, and operation mode must be configured to match devices and systems connected to the Q62DA module. Configure these settings by making the GX Works2 switch setting according to the application. For details on how to use the intelligent function module switch setting, refer to GX Works2 Operating Manual (Common).</p>
FB operation type	Pulsed execution (multiple scan execution type)
Application example	Refer to Appendix 1 - Application examples.

Item	Description
Timing chart	<p data-bbox="375 324 893 358">[When operation completes without error]</p> <p data-bbox="375 1041 662 1075">[When an error occurs]</p> <p data-bbox="1173 1702 1197 1736">E</p>
Relevant manual	Digital-Analog Converter Module User's Manual

Error codes

■ Error code list

Error code	Description
10 (Decimal)	The specified target channel is not valid. The target channel is not within the range of the number of channels of the mounted module. Please try again after confirming the setting.

Labels

■ Input labels

Name	Label name	Data type	Setting range	Description
Execution command	FB_EN	B	ON, OFF	ON: The FB is activated. OFF: The FB is not activated.
Module start XY address	i_Start_IO_No	W	Depends on the I/O point range. For details, refer to the CPU user's manual.	Specify the starting XY address (in hexadecimal) where the Q62DA module is mounted. (For example, enter H10 for X10.)
Channel No.	i_CH	W	1,2	Specify the channel number.
Offset adjustment amount	i_Adjust_Amount	W	-3000~3000	Set the offset adjustment amount of the specified channel.
Setting value change command	i_Value_Change	B	ON, OFF	Turn ON to change the D/A output. Turn OFF after changing the output.
User range write command	i_Write_Offset	B	ON, OFF	Turn ON to write the adjusted offset value to the flash memory. Turn OFF after writing is completed.

■ Output labels

Name	Label name	Data type	Initial value	Description
Execution status	FB_ENO	B	OFF	ON: Execution command is ON. OFF: Execution command is OFF.
Completed without error	FB_OK	B	OFF	When ON, it indicates that the offset setting of the specified channel is completed.
Error flag	FB_ERROR	B	OFF	When ON, it indicates that an error has occurred.
Error code	ERROR_ID	W	0	FB error code output.

FB Version Upgrade History

Version	Date	Description
1.00A	2010/12/23	First edition

Note

This chapter includes information related to the M+Q62DA_SetOffsetVal function block.

It does not include information on restrictions of use such as combination with digital-analog converter modules or programmable controller CPUs.

Before using any Mitsubishi products, please read all the relevant manuals.

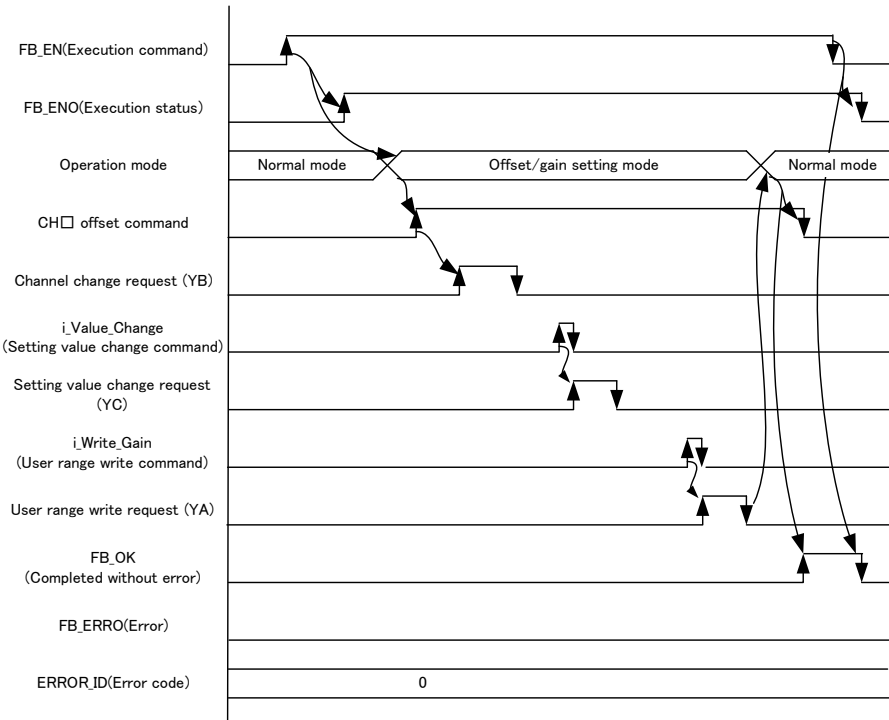
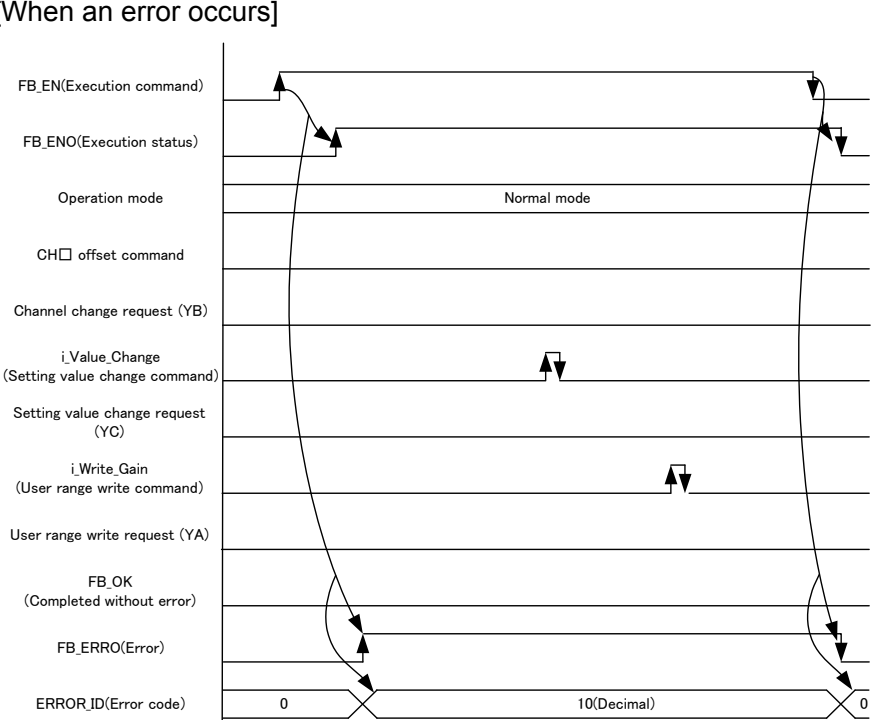
7. M+Q62DA_SetGainVal (Gain setting)

FB Name
M+Q62DA_SetGainVal

Function Overview

Item	Description																						
Function overview	Performs gain setting of a specified channel.																						
Symbol	<table border="1" style="width: 100%; border-collapse: collapse;"> <thead> <tr> <th colspan="2" style="text-align: center;">M+Q62DA_SetGainVal</th> </tr> </thead> <tbody> <tr> <td style="text-align: right;">Execution command</td> <td>B : FB_EN</td> </tr> <tr> <td style="text-align: right;">Module start XY address</td> <td>W : i_Start_IO_No</td> </tr> <tr> <td style="text-align: right;">Channel No.</td> <td>W : i_CH</td> </tr> <tr> <td style="text-align: right;">Gain adjustment amount</td> <td>W : i_Adjust_Amount</td> </tr> <tr> <td style="text-align: right;">Setting value change command</td> <td>B : i_Value_Change</td> </tr> <tr> <td style="text-align: right;">User range write command</td> <td>B : i_Write_Gain</td> </tr> <tr> <td></td> <td style="text-align: right;">FB_ENO : B</td> </tr> <tr> <td></td> <td style="text-align: right;">FB_OK : B</td> </tr> <tr> <td></td> <td style="text-align: right;">FB_ERROR : B</td> </tr> <tr> <td></td> <td style="text-align: right;">ERROR_ID : W</td> </tr> </tbody> </table> <div style="display: flex; justify-content: space-between; margin-top: 10px;"> <div style="width: 45%;"> <p>Execution status</p> <p>Completed without error</p> <p>Error flag</p> <p>Error code</p> </div> </div>	M+Q62DA_SetGainVal		Execution command	B : FB_EN	Module start XY address	W : i_Start_IO_No	Channel No.	W : i_CH	Gain adjustment amount	W : i_Adjust_Amount	Setting value change command	B : i_Value_Change	User range write command	B : i_Write_Gain		FB_ENO : B		FB_OK : B		FB_ERROR : B		ERROR_ID : W
M+Q62DA_SetGainVal																							
Execution command	B : FB_EN																						
Module start XY address	W : i_Start_IO_No																						
Channel No.	W : i_CH																						
Gain adjustment amount	W : i_Adjust_Amount																						
Setting value change command	B : i_Value_Change																						
User range write command	B : i_Write_Gain																						
	FB_ENO : B																						
	FB_OK : B																						
	FB_ERROR : B																						
	ERROR_ID : W																						
Applicable hardware and software	Compatible hardware: Q62DA, Q62DAN																						
	Hardware details																						
	<table border="1" style="width: 100%; border-collapse: collapse;"> <tr> <td style="width: 30%;">Q series</td> <td>High performance model</td> </tr> <tr> <td></td> <td>Universal model</td> </tr> </table>	Q series	High performance model		Universal model																		
	Q series	High performance model																					
	Universal model																						
*Not applicable for QCPU (A mode)																							
	Compatible software: GX Works 2 Version 1.31H or later																						
Programming language	Ladder																						
Number of steps (maximum value)	<p>For universal model CPU: 318*</p> <p>*The value is the number of steps in the label program, and is therefore stated as a reference value. For details, refer to the GX Works2 Version1 Operation Manual (Simple Project).</p>																						

Item	Description
Function description	<p>1) By turning ON FB_EN (Execution command), the gain value of the specified channel is set.</p> <p>2) To adjust the D/A output, set i_Adjust_Amount (Offset/gain adjustment amount) and turn OFF i_Value_Change (Setting value change command) and then ON while FB_EN (Execution command) is ON.</p> <p>3) When the input value is invalid, the FB_ERROR output turns ON, processing is interrupted, and the error code is stored in ERROR_ID (Error code). Refer to the error code explanation section for details.</p>
Compiling method	Macro type
Restrictions and precautions	<p>1) The FB does not include error recovery processing. Program the error recovery processing separately in accordance with the required system operation.</p> <p>2) The FB cannot be used in an interrupt program.</p> <p>3) Please ensure that the FB_EN signal is capable of being turned OFF by the program. Do not use this FB in programs that are only executed once such as a subroutine, FOR-NEXT loop, etc. because it is impossible to turn OFF.</p> <p>4) When two or more of these FBs are used, precaution must be taken to avoid repetition of the target channel.</p> <p>5) This FB uses index registers Z9, Z8 and Z7. Please do not use these index registers in an interrupt program.</p> <p>6) Every input must be provided with a value for proper FB operation.</p> <p>7) When this FB is used in two or more places, a duplicated coil warning may occur during compile operation due to the Y signal being operated by index modification. However this is not a problem and the FB will operate without error.</p> <p>8) The output range, synchronous output mode, resolution mode, and operation mode must be configured to match devices and systems connected to the Q62DA module. Configure these settings by making the GX Works2 switch setting according to the application. For details on how to use the intelligent function module switch setting, refer to GX Works2 Operating Manual (Common).</p>
FB operation type	Pulsed execution (multiple scan execution type)
Application example	Refer to Appendix 1 - Application examples.

Item	Description
Timing chart	<p>[When operation completes without error]</p>  <p>[When an error occurs]</p> 
Relevant manual	Digital-Analog Converter Module User's Manual

Error codes

■ Error code list

Error code	Description
10 (Decimal)	The specified target channel is not valid. The target channel is not within the range of the number of channels of the mounted module. Please try again after confirming the setting.

Labels

■ Input labels

Name	Label name	Data type	Setting range	Description
Execution command	FB_EN	B	ON, OFF	ON: The FB is activated. OFF: The FB is not activated.
Module start XY address	i_Start_IO_No	W	Depends on the I/O point range. For details, refer to the CPU user's manual.	Specify the starting XY address (in hexadecimal) where the Q62DA module is mounted. (For example, enter H10 for X10.)
Channel No.	i_CH	W	1,2	Specify the channel number.
Gain adjustment amount	i_Adjust_Amount	W	-3000~3000	Specify the gain adjustment amount of the specified channel.
Setting value change command	i_Value_Change	B	ON, OFF	Turn ON to change the D/A output. Turn OFF after changing the output.
User range write command	i_Write_Gain	B	ON, OFF	Turn ON to write the adjusted gain value to the flash memory. Turn OFF after writing is completed.

■ Output labels

Name	Label name	Data type	Initial value	Description
Execution status	FB_ENO	B	OFF	ON: Execution command is ON. OFF: Execution command is OFF.
Completed without error	FB_OK	B	OFF	When ON, it indicates that the gain setting of the specified channel is completed.
Error flag	FB_ERROR	B	OFF	When ON, it indicates that an error has occurred.
Error code	ERROR_ID	W	0	FB error code output.

FB Version Upgrade History

Version	Date	Description
1.00A	2010/12/23	First edition

Note

This chapter includes information related to the M+Q62DA_SetGainVal function block.

It does not include information on restrictions of use such as combination with digital-analog converter modules or programmable controller CPUs.

Before using any Mitsubishi products, please read all the relevant manuals.

8. M+Q62DA_ErrorOperation (Error operation)

FB Name
M+Q62DA_ErrorOperation

Function Overview

Item	Description																														
Function overview	Monitors error codes and performs error reset.																														
Symbol	<div style="text-align: center;"> <p style="text-align: center;">M+Q62DA_ErrorOperation</p> <table style="width: 100%; border-collapse: collapse;"> <tr> <td style="width: 30%;">Execution command</td> <td style="width: 10%; border-left: 1px solid black;">B : FB_EN</td> <td style="width: 50%;"></td> <td style="width: 10%; border-left: 1px solid black;">FB_ENO : B</td> <td style="width: 10%;">Execution status</td> </tr> <tr> <td>Module start XY address</td> <td style="border-left: 1px solid black;">W : i_Start_IO_No</td> <td></td> <td style="border-left: 1px solid black;">FB_OK : B</td> <td>Completed without error</td> </tr> <tr> <td>Error reset request</td> <td style="border-left: 1px solid black;">B : i_ErrorReset</td> <td></td> <td style="border-left: 1px solid black;">o_UNIT_ERROR : B</td> <td>Module error</td> </tr> <tr> <td></td> <td></td> <td></td> <td style="border-left: 1px solid black;">o_UNIT_ERR_CODE : W</td> <td>Module error code</td> </tr> <tr> <td></td> <td></td> <td></td> <td style="border-left: 1px solid black;">FB_ERROR : B</td> <td>Error flag</td> </tr> <tr> <td></td> <td></td> <td></td> <td style="border-left: 1px solid black;">ERROR_ID : W</td> <td>Error code</td> </tr> </table> </div>	Execution command	B : FB_EN		FB_ENO : B	Execution status	Module start XY address	W : i_Start_IO_No		FB_OK : B	Completed without error	Error reset request	B : i_ErrorReset		o_UNIT_ERROR : B	Module error				o_UNIT_ERR_CODE : W	Module error code				FB_ERROR : B	Error flag				ERROR_ID : W	Error code
Execution command	B : FB_EN		FB_ENO : B	Execution status																											
Module start XY address	W : i_Start_IO_No		FB_OK : B	Completed without error																											
Error reset request	B : i_ErrorReset		o_UNIT_ERROR : B	Module error																											
			o_UNIT_ERR_CODE : W	Module error code																											
			FB_ERROR : B	Error flag																											
			ERROR_ID : W	Error code																											
Applicable hardware and software	Compatible hardware: Q62DA, Q62DAN																														
	Hardware details																														
	<table border="1" style="width: 100%; border-collapse: collapse;"> <tr> <td style="width: 40%;">Q series</td> <td>High performance model</td> </tr> <tr> <td></td> <td>Universal model</td> </tr> </table>	Q series	High performance model		Universal model																										
	Q series	High performance model																													
	Universal model																														
*Not applicable for QCPU (A mode)																															
	Compatible software: GX Works 2 Version 1.31H or later																														
Programming language	Ladder																														
Number of steps (maximum value)	<p>For universal model CPU: 195*</p> <p>*The value is the number of steps in the label program, and is therefore stated as a reference value. For details, refer to the GX Works2 Version1 Operation Manual (Simple Project).</p>																														
Function description	<p>1) By turning ON FB_EN (Execution command), error information is read.</p> <p>2) When the error reset request is ON, error clear is performed.</p>																														
Compiling method	Macro type																														

Item	Description
Restrictions and precautions	<p>1) The FB does not include error recovery processing. Program the error recovery processing separately in accordance with the required system operation.</p> <p>2) The FB cannot be used in an interrupt program.</p> <p>3) Please ensure that the FB_EN signal is capable of being turned OFF by the program. Do not use this FB in programs that are only executed once such as a subroutine, FOR-NEXT loop, etc. because it is impossible to turn OFF.</p> <p>4) This FB uses index registers Z9 and Z8. Please do not use these index registers in an interrupt program.</p> <p>5) Every input must be provided with a value for proper FB operation.</p> <p>6) When this FB is used in two or more places, a duplicated coil warning will occur during compile operation due to the Y signal being operated by index modification. However this is not a problem and the FB will operate without error.</p> <p>7) The output range, synchronous output mode, resolution mode, and operation mode must be configured to match devices and systems connected to the Q62DA module. Configure these settings by making the GX Works2 switch setting according to the application.</p> <p>For details on how to use the intelligent function module switch setting, refer to GX Works2 Operating Manual (Common).</p>
FB operation type	Real-time execution
Application example	Refer to Appendix 1 - Application examples.
Timing chart	<p>The timing chart illustrates the sequence of events for the FB module. It shows the relationship between the execution command (FB_EN), the execution status (FB_ENO), error signals (i_ErrorReset, Error reset, Error), error outputs (o_UNIT_ERROR, o_UNIT_ERR_CODE), and completion signals (FB_OK, FB_ERR, ERROR_ID). The chart shows that when FB_EN is active, FB_ENO becomes active. If an error occurs, i_ErrorReset and Error reset signals are generated, which then cause o_UNIT_ERROR and o_UNIT_ERR_CODE to become active. Once the error is cleared, FB_OK becomes active, and FB_ERR and ERROR_ID signals are reset to 0.</p>
Relevant manual	Digital-Analog Converter Module User's Manual

Error codes

■ Error code list

Error code	Description
None	No errors are stored for this FB.

Labels

■ Input labels

Name	Label name	Data type	Setting range	Description
Execution command	FB_EN	B	ON, OFF	ON: The FB is activated. OFF: The FB is not activated.
Module start XY address	i_Start_IO_No	W	Depends on the I/O point range. For details, refer to the CPU user's manual.	Specify the starting XY address (in hexadecimal) where the Q62DA module is mounted. (For example, enter H10 for X10.)
Error reset request	i_ErrorReset	B	ON, OFF	Turn ON to perform the error reset. Turn OFF after error reset is completed.

■ Output labels

Name	Label name	Data type	Initial value	Description
Execution status	FB_ENO	B	OFF	ON: Execution command is ON. (Module error being monitored) OFF: Execution command is OFF.
Completed without error	FB_OK	B	OFF	When ON, it indicates executing the error reset command is completed.
Module error	o_UNIT_ERR_OR	B	OFF	When ON, it indicates a module error has occurred.
Module error code	o_UNIT_ERR_CODE	W	0	Store a code for an error occurring.
Error flag	FB_ERROR	B	OFF	When ON, it indicates that an error has occurred.
Error code	ERROR_ID	W	0	FB error code output.

FB Version Upgrade History

Version	Date	Description
1.00A	2010/12/23	First edition

Note

This chapter includes information related to the M+Q62DA_ErrorOperation function block.

It does not include information on restrictions of use such as combination with digital-analog converter modules or programmable controller CPUs.

Before using any Mitsubishi products, please read all the relevant manuals.

Appendix 1 - Application examples

Q62DA application examples

System configuration

Power supply module	CPU Module	Q62DA (X/Y00~X/Y0F)	QX40 (X10~X1F)	QY40 (Y20~Y2F)
----------------------------	-------------------	-------------------------------	--------------------------	--------------------------

Device list

External input (commands)

Device	FB function name	Application (ON details)
X10	Error operation	Error reset request

External output (checks)

Device	FB function name	Application (ON details)
Y20	DA conversion data write	DA conversion data write FB error
Y21	DA conversion data write (All CHs)	DA conversion data write (All CHs) FB error
Y22	DA conversion enable/disable setting	DA conversion enable/disable FB error
Y23	DA output enable/disable setting	DA output enable/disable FB error
Y24	Operating condition setting request operation	Operating condition setting request operation FB error
Y25	Offset setting	Offset setting FB error
Y26	Gain setting	Gain setting FB error
Y27	Error operation	Error operation FB error

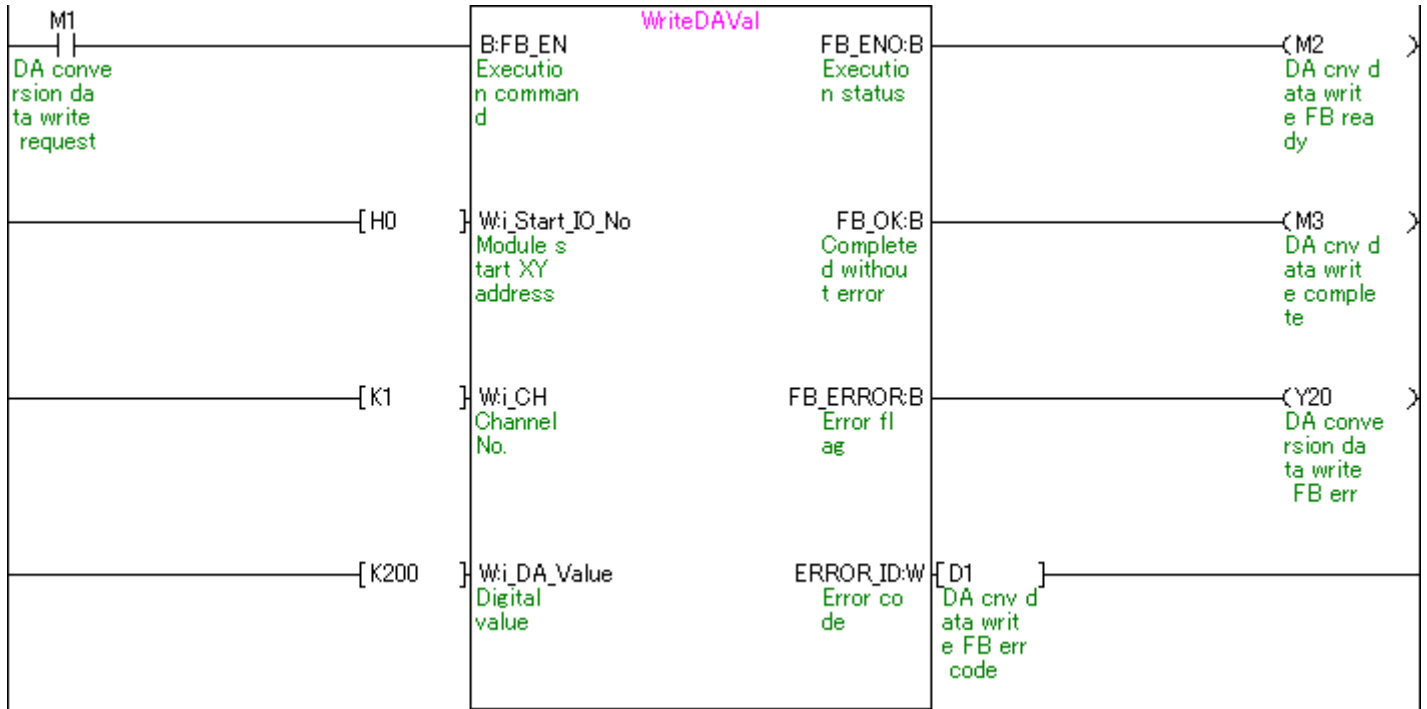
Data register

Device	FB function name	Application (ON details)
D1	DA conversion data write	DA conversion data write FB error code
D2	DA conversion data write (All CHs)	DA conversion data write (All CHs) FB error code
D3	DA conversion enable/disable setting	DA output enable/disable FB error code
D4	DA output enable/disable setting	DA conversion enable/disable FB error code
D5	Operating condition setting request operation	Operating condition setting request operation FB error code
D6	Offset setting	Offset setting FB error code
D7	Gain setting	Gain setting FB error code
D8	Error operation	Error operation FB error code
D9		Module error code

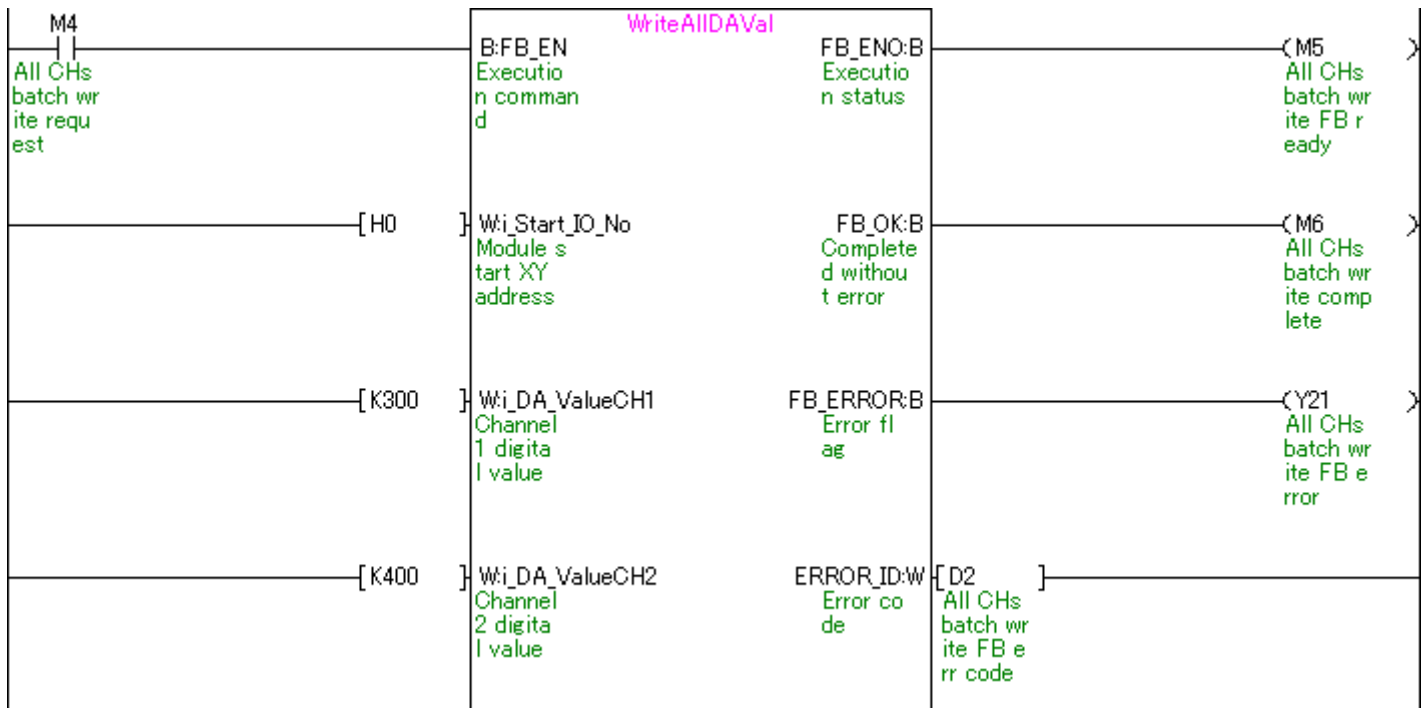
Relay

Device	FB function name	Application (ON details)
M1	DA conversion data write	DA conversion data write request
M2		DA conversion data write FB ready
M3		DA conversion data write complete
M4		DA conversion data write (All CHs) request
M5	DA conversion data write (All CHs)	DA conversion data write (All CHs) FB ready
M6		DA conversion data write (All CHs) complete
M7		DA conversion enable/disable setting request
M8	DA conversion enable/disable setting	DA conversion enable/disable setting
M9		DA conversion enable/disable setting FB ready
M10		DA conversion enable/disable setting complete
M11		DA output enable/disable setting request
M12	DA output enable/disable setting	DA output enable/disable setting
M13		DA output enable/disable setting FB ready
M14		DA output enable/disable setting complete
M15	Operating condition setting request	Operating condition setting request FB ready
M16	Operating condition setting request operation	Operating condition setting request operation FB complete
M17		Offset setting request
M18	Offset setting	Setting value change command
M19		User range write command
M20		Offset setting FB ready
M21		Offset setting complete
M22		Gain setting request
M23		Setting value change command
M24	Gain setting	User range write command
M25		Gain setting FB ready
M26		Gain setting complete
M27	Error operation	Error operation request
M28		Error operation ready
M29		Error operation complete
M30		Module error
M31		

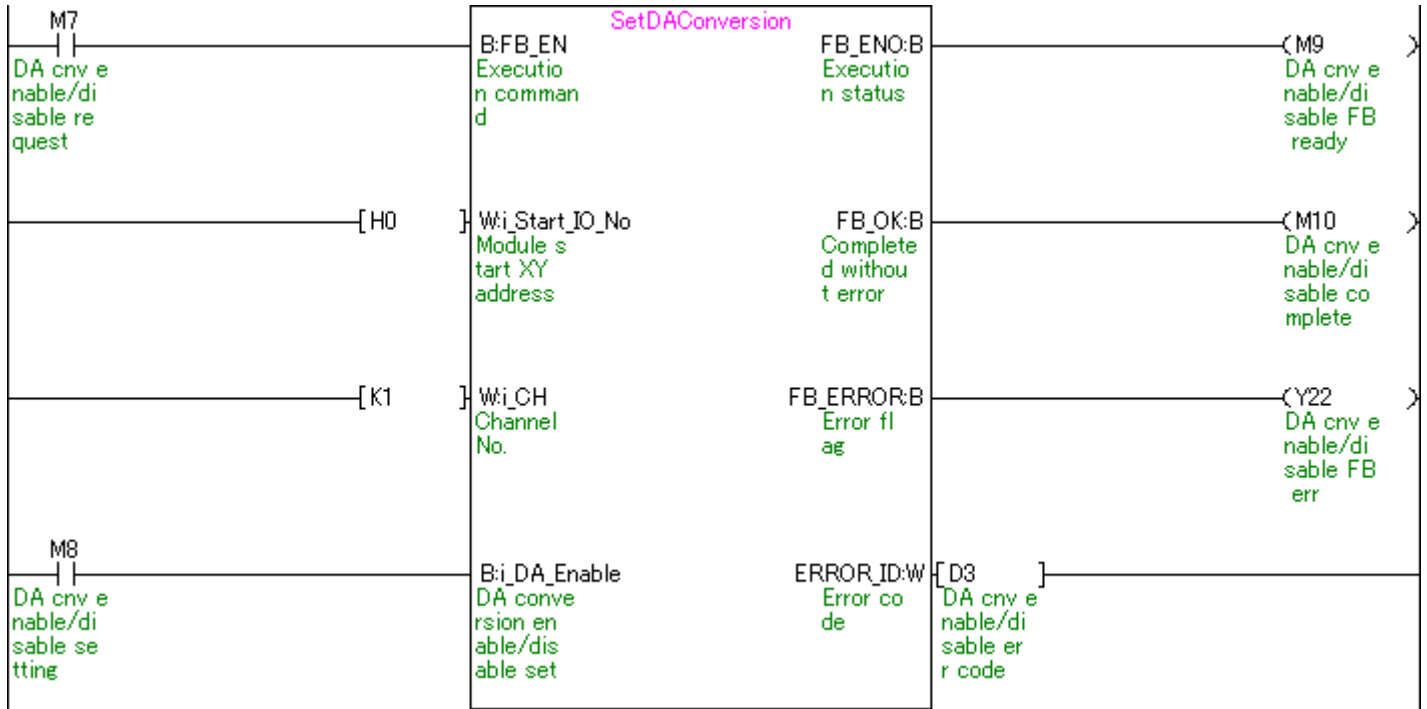
M+Q62DA_WriteDAVal (DA conversion data write)



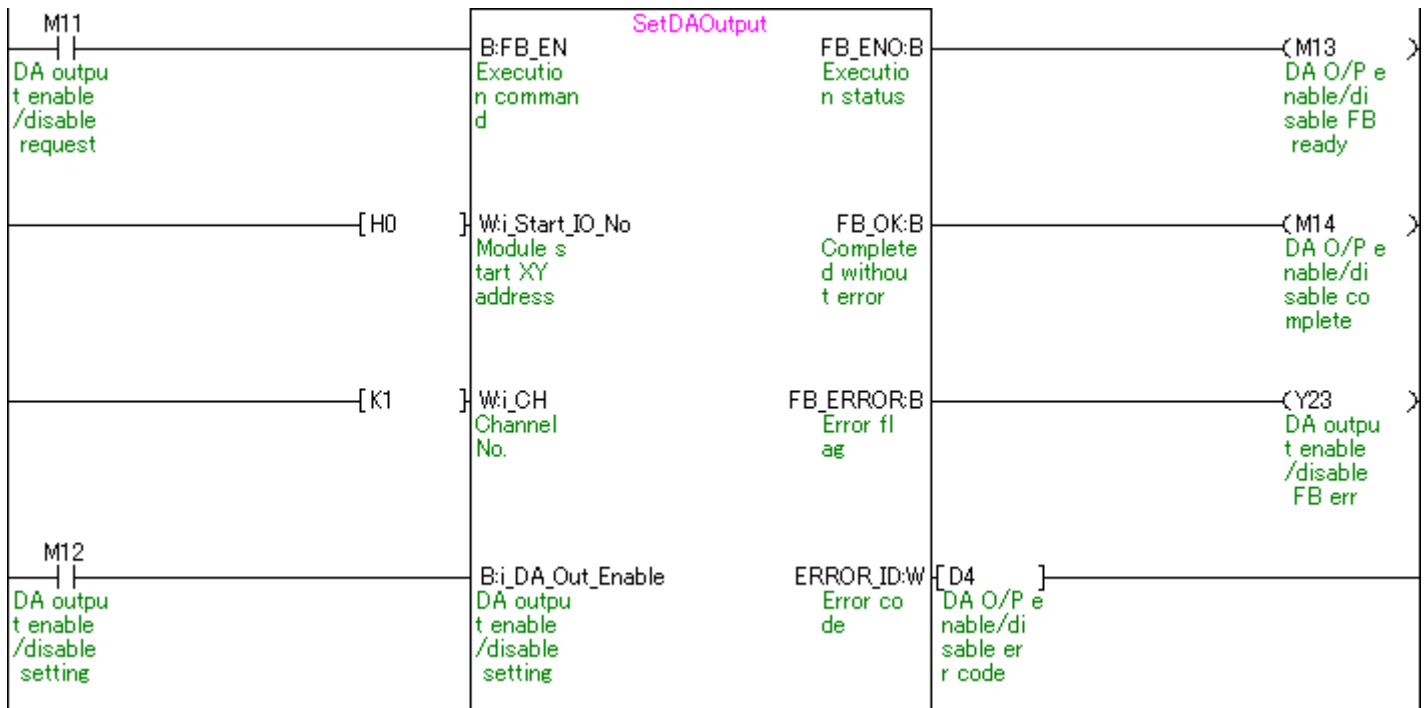
M+Q62DA_WriteAllDAVal (DA conversion data write (All CHs))



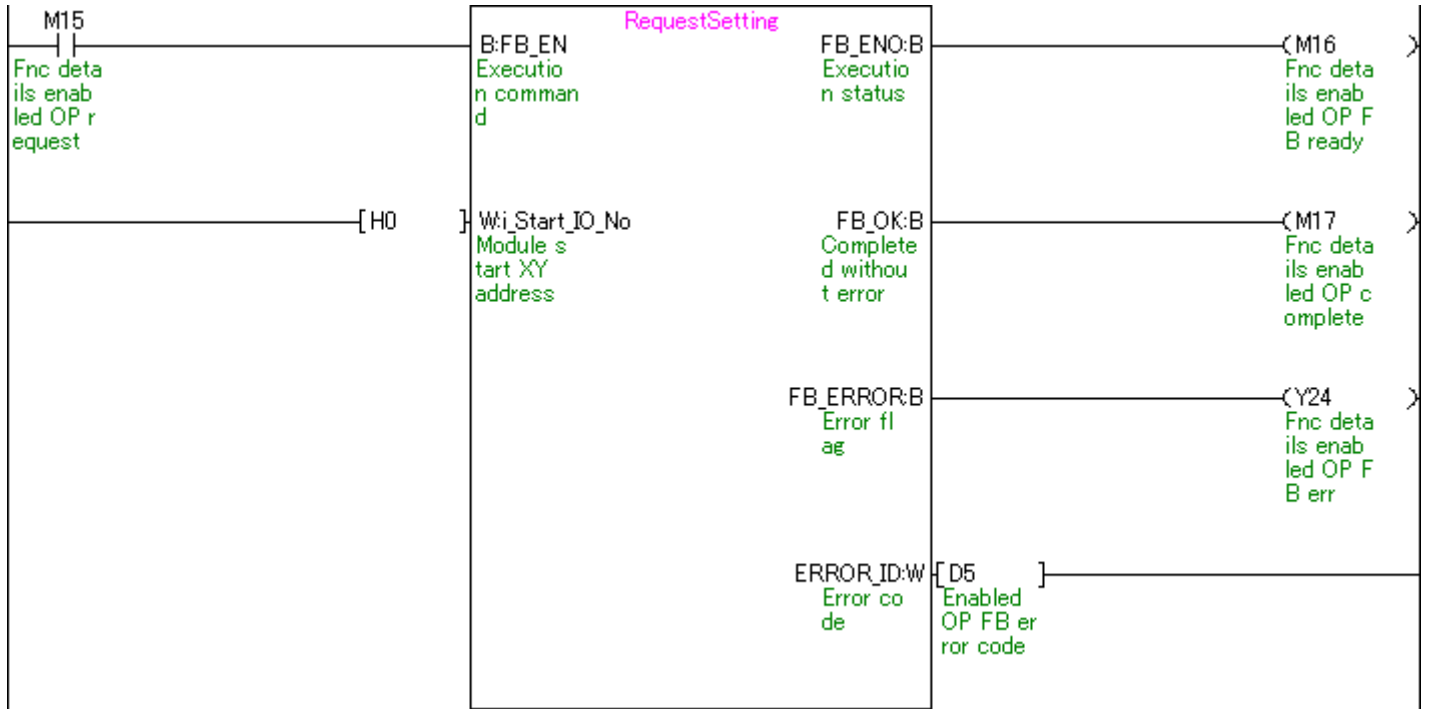
M+Q62DA_SetDAConversion (DA conversion enable/disable setting)



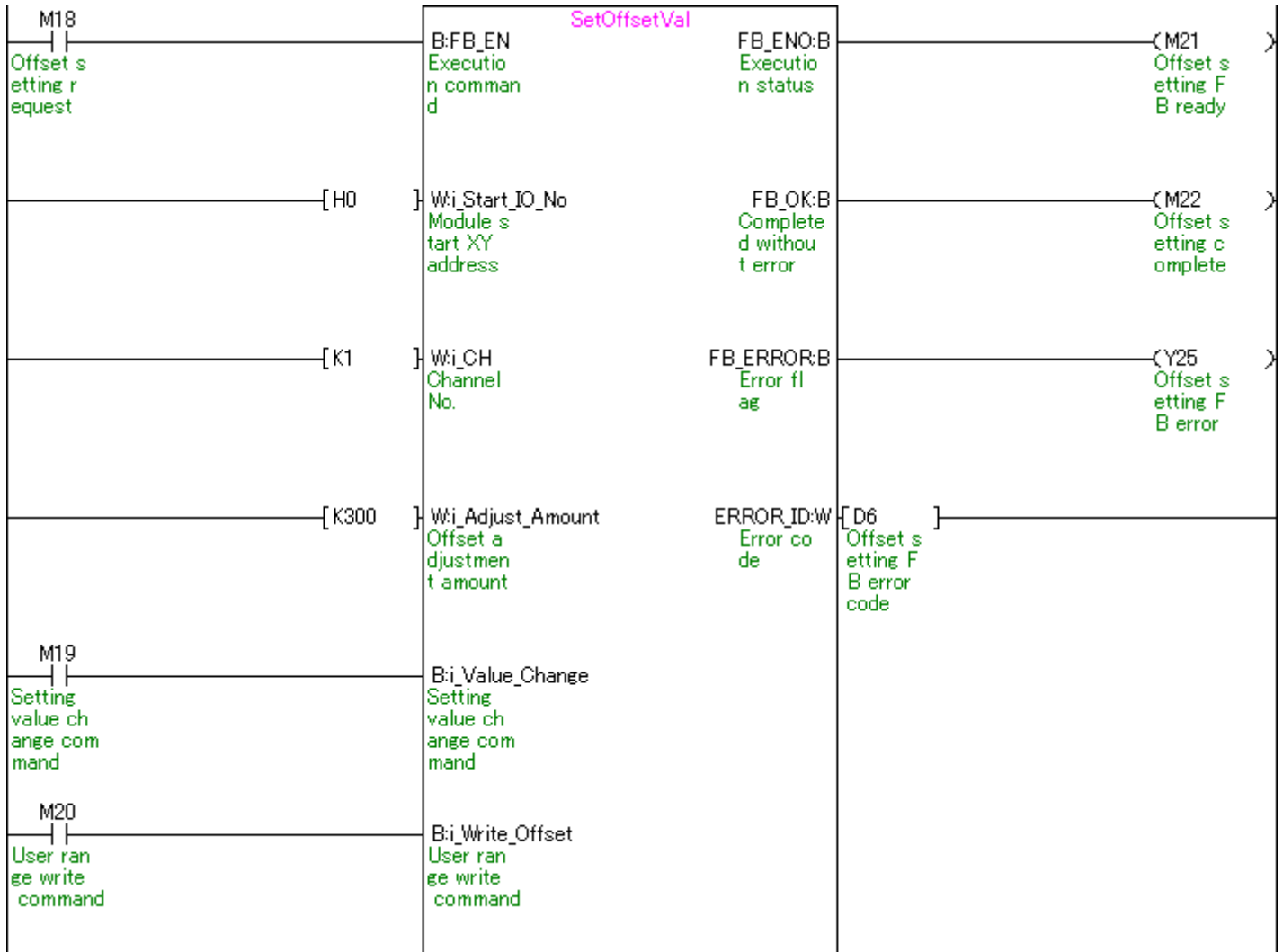
M+Q62DA_SetDAOutput (DA output enable/disable setting)



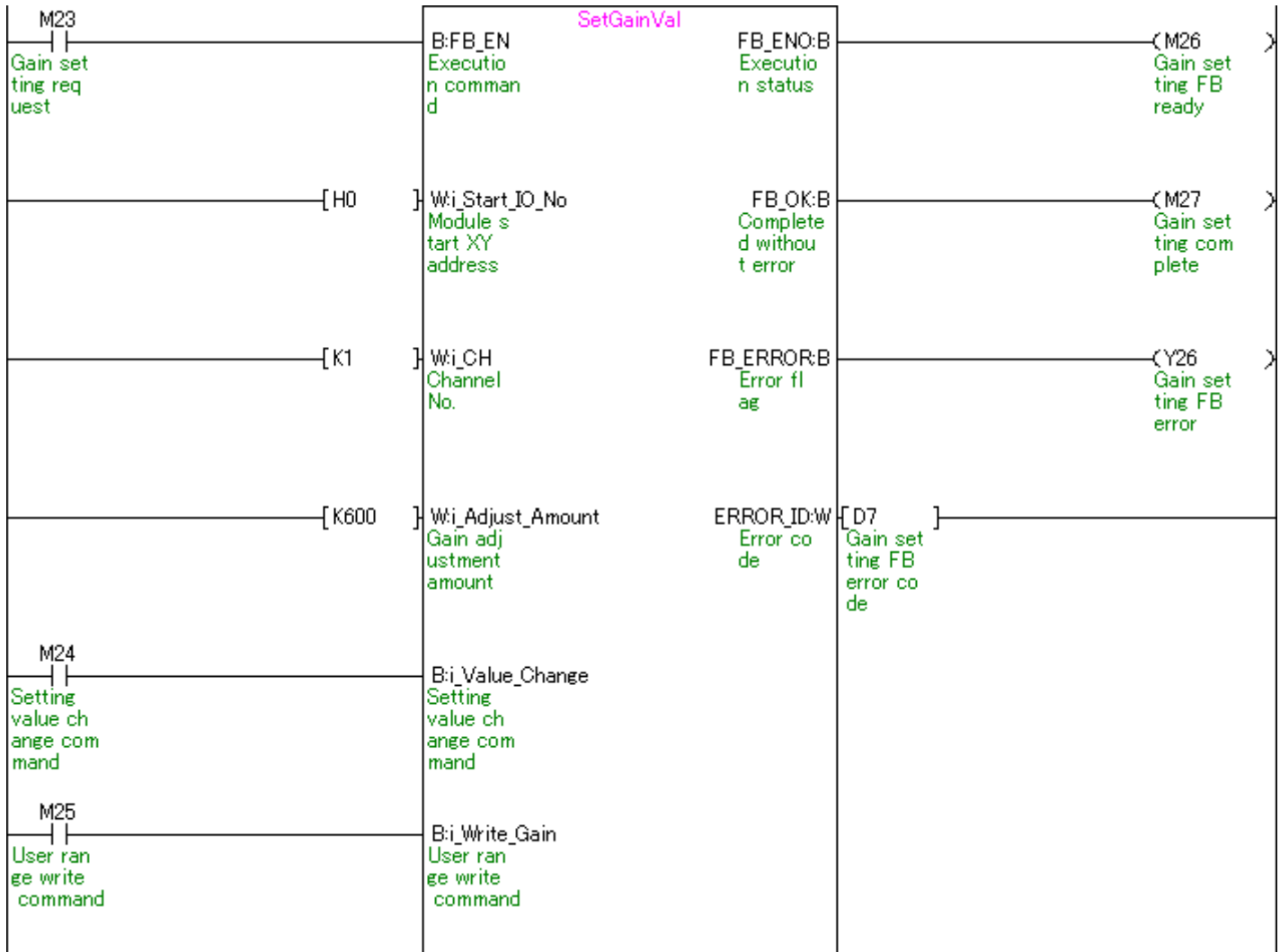
M+Q62DA_RequestSetting (Operating condition setting request operation)



M+Q62DA_SetOffsetVal (Offset setting)



M+Q62DA_SetGainVal (Gain setting)



M+Q62DA_ ErrorOperation (Error operation)

